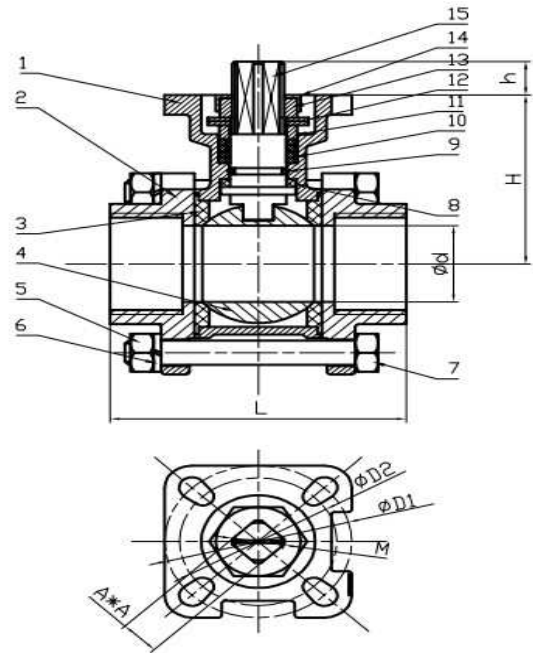




Cangzhou Changyuan Fittings Co.,Ltd

Add:No.26 Shigang Road,Development Zone,Cangzhou ,Hebei,China Pc:061000

Http://www.con-well.com Email:con-well@vip.163.com sale@con-well.com



3PC BALL VALVE WITH MOUNTING PAD ISO5211 (FULL PORT) (mm)

| DN | H | h | A | L | D1 | D2 | d | M |
|----|-------|------|------|-------|------|------|------|---------|
| 15 | 42.00 | 9.0 | 9.0 | 61.0 | 42.0 | 36.0 | 15.0 | M12*1.5 |
| 20 | 44.50 | 9.0 | 9.0 | 70.4 | 42.0 | 36.0 | 20.0 | M12*1.5 |
| 25 | 55.50 | 11.0 | 11.0 | 79.2 | 50.0 | 42.0 | 25.0 | M14*1.5 |
| 32 | 61.00 | 11.0 | 11.0 | 96.0 | 50.0 | 42.0 | 32.0 | M14*1.5 |
| 40 | 67.00 | 14.0 | 14.0 | 107.0 | 70.0 | 50.0 | 38.0 | M18*1.5 |
| 50 | 76.00 | 14.0 | 14.0 | 122.0 | 70.0 | 50.0 | 50.0 | M18*1.5 |

MATERIAL LIST

| Item | Description | Material |
|------|-------------------|------------|
| 1 | BODY | CF8/CF8M |
| 2 | CAP | CF8/CF8M |
| 3 | STEM SEAL | RPTFE |
| 4 | BALL | SUS304/316 |
| 5 | NUT | SUS304 |
| 6 | THRUST WASHER | SUS304 |
| 7 | BULT | SUS304 |
| 8 | STEM PACKING | PTFE |
| 9 | O-RING | NBR |
| 10 | V-RING PACKING | PTFE |
| 11 | GLAND | SUS304 |
| 12 | BELIEVILLE WASHER | SUS301 |
| 13 | STEM NUT | SUS304 |
| 14 | GASKET | SUS304 |
| 15 | STEM | SUS304 |

FEATURES:

- Working pressure:1000PSI(PN64).
- Working temperature:-10℃ to 150℃.
- Suitable medium:W.O.G.
- Thread: BSP,BSPT,DIN,NPT.
- PED97/23/EC(CE0038)Approved.
- Inspection Testing:API598,EN12266.